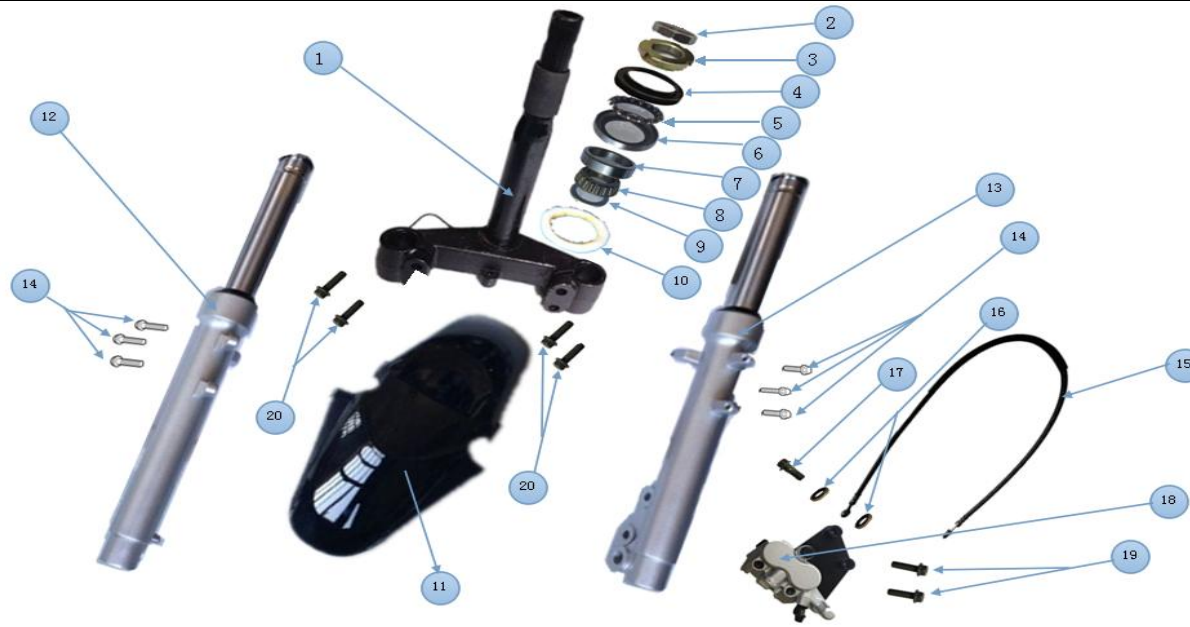


#1 steering



Item	Part No.	Description	QTY. per Vehicle
1	608.1	Steering: Front Fork Inverted "T"	1
2	600	Steering: 1 Topside: Upper nut(combo 607)	1
3	602.2	Steering: 2 Topside: threaded metal race covering	1
4	602.3	Steering: 3 Topside: plastic race covering	1
5	603	Steering: 4 Topside: bearings in race(combo 607)	1
6	604	Steering: 5 Topside: race to be seated(combo 607)	1
7	605	Steering: 6 Bottom side: race to be seated(combo 607)	1
8	606	Steering: 7 Bottom side: roller bearings(combo 607)	1
9	607.2	Steering: Special Steering Washer	1
10	607.3	Steering: Foam Washer to preventcorrosion	1
11	707	Wheel: Fender front	1
12	610.2	Steering: Front Fork Shock Strut Right	1
13	609.2	Steering: Front Fork Shock Strut Left	1
14	110	EL: Z: Bolt: M6 x 15(HF)	6
15	225	Brake: 970 mm flex with hoop & male connector(Front)	1
16	33	Brake: Z: Washer: for Brake Oil Bolt(M10)	2
17	169	Brake: Z: Bolt: Brake Oil Bolt(M10)	1
18	202	Brake: Front Assembly (includes 203 and 204)	1
19	142	Brake: Z: Bolt: M8 x 35(HF)	2
20	160	Steering: Z: Bolt: M10 x 30 for Front Shocks	4

#2 Front wheel assembly



Item	Part No.	Description	QTY. per Vehicle
1	700.3	Wheel: Rim for front	1
2	702	Wheel: 100/80 -- R14 for Right rear	1
3	717	Wheel: Tire valve for Left Rear	1
4	715.3	Wheel: Magnetic pickup for cycle analyst	1
5	37	Wheel: Z: Nut: M3	1
6	201	Brake: disc front and left	1
7	149	Brake: Z: Bolt: hold disc to rim M8	3
8	60	Wheel: Z: Spacer: 12 mm id x 20 mm od x 20 mm L ??	1
9	172	Wheel: Z: Bolt: M12 x 225 mm	1
10	715	Wheel: Speedometer Counter assembly to front Fork	1
11	714	Wheel: Speedometer Cable	1
12	52	Wheel: Z: Nut: M12	1

#3 Tiller assembly





Item	Part No.	Description	QTY. per Vehicle
1	614	Steering: Tiller	1
2	613	Steering: Plate: Top Plate assembly	1
3	617	Steering: Plate: Bottom Plate Welded to Tube	1
4	164	Steering: Z: Bolt: M10 x 45 (HF)	1
5	35	Steering: Z: Washer: M10 Half Moon for tiller	1
6	48	Steering: Z: Nut: M8	4
7	50	Steering: Z: Nuts: M10	1
8	146	Steering: Z: Bolt: M8 x 70 (HF)	4
9	300	EL: Key with Ignition assembly	1
10	110	EL: Z: Bolt: M6 x 15(HF)	2
11	46	EL: Z: Nut: M6	2
12	318	EL: radio	1
13	36.3	EL: Z: Washer: Big for Radio	1
14	53	EL: Z: Nut: M12 Coarse	1
15	320	EL: Switch: assembly Left Hand on tiller	1
16	321	EL: Switch: assembly Right Hand on tiller	1
17	611	Steering: hand grips	1
18	293	Electric: Hand Throttle	1

#4 Lights



5	549	Lights: Head light Bracket: Right	1
6	561	Lights: Turn Signal Front Left	1
7	562	Lights: Turn Signal front Right	1
8	560	Lights: Trunk Brake Light	1
9	555	Lights: Rear Brake Lights(Red)	2
10	556	Lights: Rear Turn Lights(Amber)	2
11	553	Lights: interior light	2
12	101	Lights: Z: Bolt: M4 x 20 (P)	6
13	101.5	Lights: Z: Bolt: M4 x 25 (P)	6
14	107	Interior: Z: M5 x 30	9
15	25	Wheel: Z: Washer: M6 N	14
16	45	Lights: Z: Nut: M5	11
17	99	Top: Z: Bolt: M4 x 15 (CS)	2
18	557.1	Lights: Reflector: Red Rear	2
19	46	EL: Z: Nut: M6	3
20	24	Washer: M4	8
21	125	Lights: Z: Bolt: M6 x 110 (BP)	1
22	44	Lights: Z: Nut: M4	12

#5 Rear wheel assembly

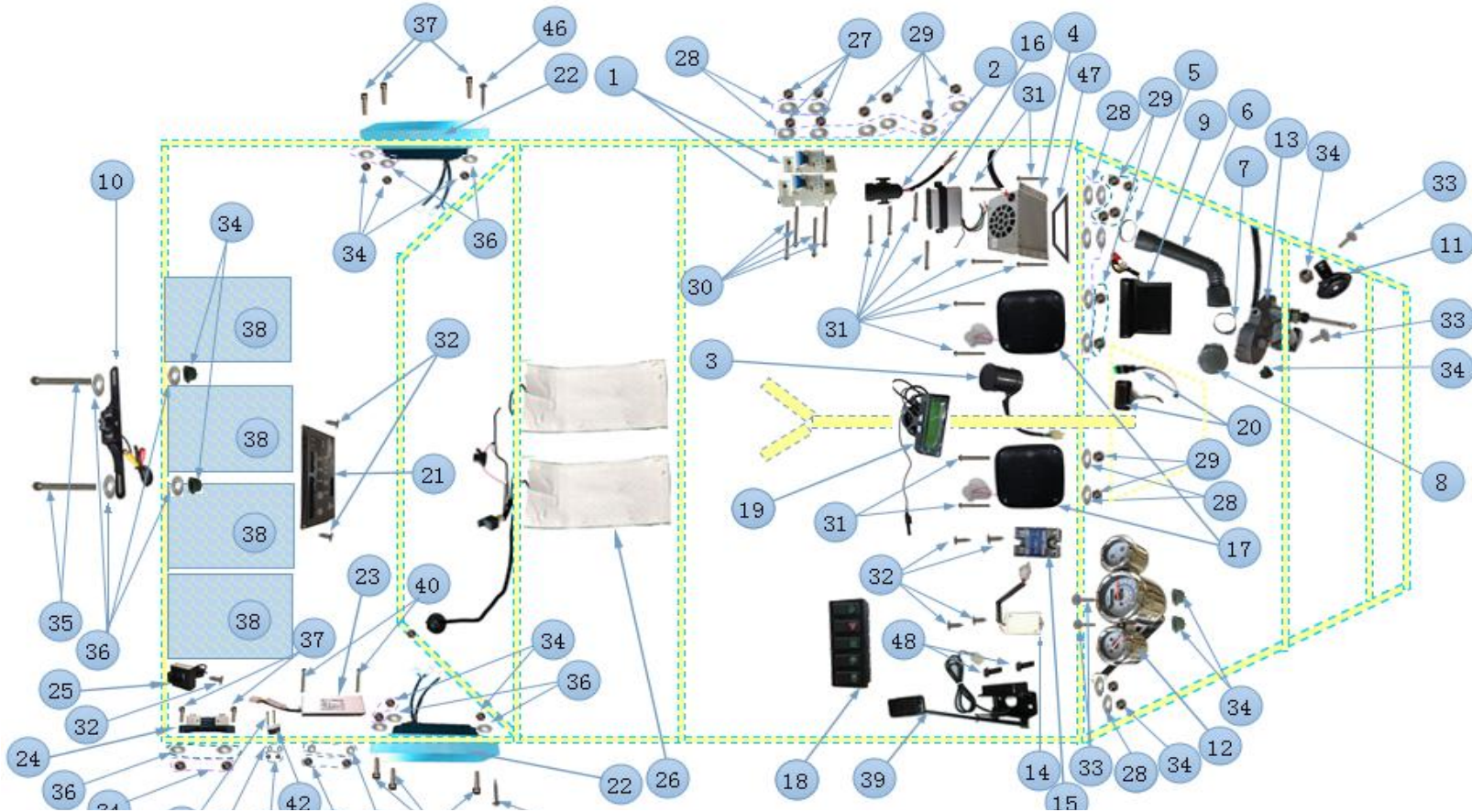




Item	Part No.	Description	QTY. per Vehicle
1	701.3	Wheel: Electric: 6 KW: 72 V:QS	2
2	717	Wheel: Tire valve for Left Rear	2
3	702.5	Wheel: 120/80 -- R14 for Right rear	2
4	201	Brake: disc front and left	2
5	149	Brake: Z: Bolt: hold disc to rim M8	6
6	712	Wheel: Shock for Left Rear	4
7	706	Wheel: Fender black Plastic Left	2
8	716.2	Wheel: Swing arm (EL) Fender extention	2
9	716.1	Wheel: Swing arm (Electric)	2
10	226.1	Brake: mounting bracket: left rear(20 mm) Electric	2
11	716.3	Wheel: Swing arm: (EL) axle fitting	4
12	199	Brake: Left Assembly	1
13	206.1	Brake: Right Assembly with parking	1
14	208	brake: Emergency Hand Brake Lever: Cable	1
15	50	Wheel: Z: Nut: M10	12
16	58	Wheel: Z: Spacer: 12 mm id x 20 mm od x 25 mm L	4
17	31	Z: Washer: M12 (24 mm OD)	4
18	31.3	Z: Washer: M12 (30 mm OD)	8
19	166	Wheel: Z: Bolt: M10 x 70 (HF)	4
20	46	Wheel: Z: Nut: M6	6
21	109	Wheel: Z: Bolt: M6 x 12	2
22	165.1	Wheel: Z: Bolt: M10 x 60 (HF)	4
23	110	EL: Z: Bolt: M6 x 15(HF)	10

24	56.3	EL: Z: Nut: M18 x 1.5 (15.5 mm Thick) EV	4
25	27	Engine: Z: Washer: M8 N	2
26	65.2	Wheel: Z: Spacer: EV Hub (28 od x 20 id x 17 mm	2
27	56.2	Wheel: Z: Nut: M18 X 1.5 (9 mm thin) EV	2
28	149	Brake: Z: Bolt: hold disc to rim M8	4
29	33	Brake: Z: Washer: for Brake Oil Bolt(M10)	4
30	169	Brake: Z: Bolt: Brake Oil Bolt(M10)	2
31	214	Brake: Tee with 3 female ports	1
32	199.3	Brake: Metal line left rear: 900 mm	1

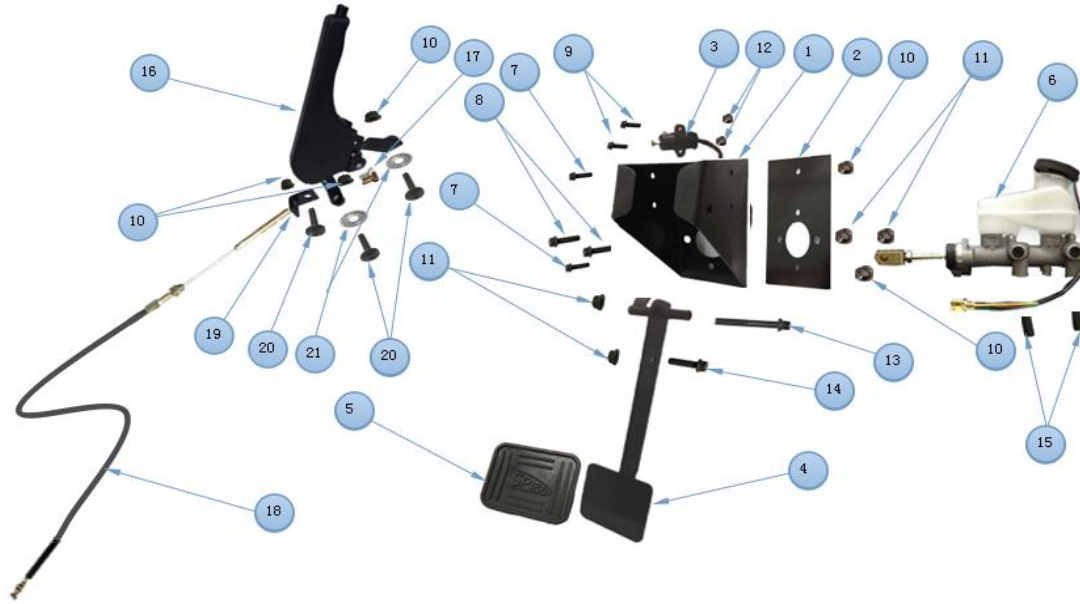
#6 Electrical parts



Item	Part No.	Description	QTY. per Vehicle
1	292.71	Electric: circuit breaker 125 amps	2
2	316	EL: cigaretter lighter	1
3	305	EL: FLASHER	1
4	319.2	EL: defroster/fan (72 Volts)	1
5	377	EL: Clamps for 50 mm OD Defroster Hose	1
6	501.2	Interior: Tube for defroster	1
7	449	Gas Tank: Clamps for 38 mm OD Filler Hose	1
8	501	Interior: Vent for defroster	1
9	293.21	EL: Rear Camera screen	1
10	293.2	EL: Rear Camera	1
11	307	EL: HORN	1
12	326.2	EL: Speedometer(up to 80 mph)	1
13	323	EL: Windshield wiper: motor	1
14	296	EL: 5s delay relav	1
15	299.1	EL: relay integrated with fuse (72V)	1
16	318	EL: radio	1
17	317	EL: Speakers	2
18	327	EL: Switch: Bei Bei	1
19	293.1	EL: Cycle analvst	1
20	293.31	EL: BMS Screen & Switch	1
21	293.3	EL: BMS main body	1
22	293.6	EL: Controller Nanjing:	2
23	292.9	EL: 72 to 12.8 V converter: 18 amps	1
24	293.12	EL: Cycle Analyzer Shunt	1
25	293.32	EL: BMS Current Sensor	1
26	329.2	EL: Seat Heater pad	1
27	37	EL: Z: Bolt: M3	4
28	26	EL: Z: Washer: M6 L	20
29	44	EL: Z: Nut: M4	12
30	98.5	EL: Z: Bolt: M3 x 75 (P)	4
31	102	EL: Z: Bolt: M4 x 30 (P)	12
32	70	EL: Z: Screw: 5.0×16 TAPPING	7
33	100	EL: Z: Bolt: M6X25(P)	4
34	46	EL: Z: Nut : M6	16
35	125	Lights: Z: Bolt: M6 x 110 (BP)	2
36	46	Washer: M6	6
37	107	EL: Z: Bolt: M5 x 30 (P) for Controller	6
38	292.4	EL: Battery: CALB: Cell 3.65V: 72 AH	1
39	293.03	EL: Foot Accelator	1
40	107	Interior: Z: M5 x 30	2
41	45	Lights: Z: Nut: M5	2
42	293.41	EL: Pair of Big Connectors for Charger	1

43	102.4	EL: Z: Bolt: M4 x 40 (P) anderson	2
44	24	Lights: Z: Washer: M4 R	2
45	44	EL: Z: Nut: M4	2
46	72	EL: Z: Screw 40 mm for controller	2
47	318.2	EL: Rubber Ring for Radio	1
48	114	Brake: Z: Bolt: M6 X 30	2

#7 Braking system



Item	Part No.	Description	QTY. per Vehicle
1	216	Brake: Pedal Holder	1
2	217	Brake: Pedal Steel Plate in Front Wheel Well	1
3	314	EL: Brake: Switch on Peddle Assembly	1
4	215	Brake: Pedal	1
5	223	Brake: Pedal rubber cover	1
6	219	Brake: Master cvlinder brake	1
7	114	Brake: Z: Bolt: M6 X 30	2
8	143	Brake: Z: Bolt: M8 X 40	2
9	110	EL: Z: Bolt: M6 x 15 (HF)	2
10	46	EL: Z: Nut: M6	5
11	48	Steering: Z: Nut: M8	4
12	40	Brake: Z: Nut : M6	2
13	148	Brake: Z: Bolt: M8 X 100	1
14	139	Brake: Z: Bolt: M8 X 25	1
15	33	Brake: Z: Bolt: M10 X 16	2

16	207	Brake: Emergency hand brake lever	1
17	208.1	Brake: Emergency hand brake lever adjuster nut	1
18	208	brake: Emergency Hand Brake Lever: Cable	1
19	372	Engine: Turn buckle: "L" bracket for engine	1
20	113	Brake: Z: Bolt: M6 X 25	3
21	26	Washer: M6	2

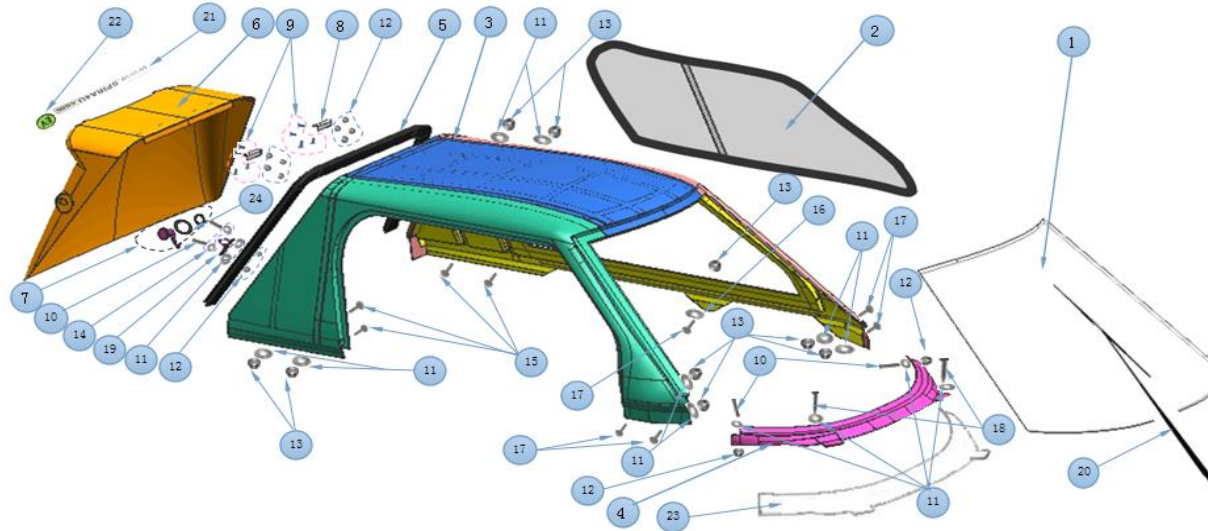
#8 Interior



Item	Part No.	Description	QTY. per Vehicle
1	504.1	Interior: Uphostery for seat and back	1
2	497	Interior: Foam for headrest	1
3	498	Interior: Foam for seat	1
4	504.3	Interior: Uphostery left side	1
5	504.2	Interior: Uphostery right side	1
6	510	Interior: Air Cushion	1
7	502	Interior: seat belt set	1
8	161	Interior: Z: Bolt: M10 x 32 (HF)	2
9	165.1	Interior: Z: Bolt: M10 x 60 (HF)	1
10	29	Interior: Z: Washer: M10 XL (40 mm OD)	3
11	50	Interior: Z: Nut: M10	3

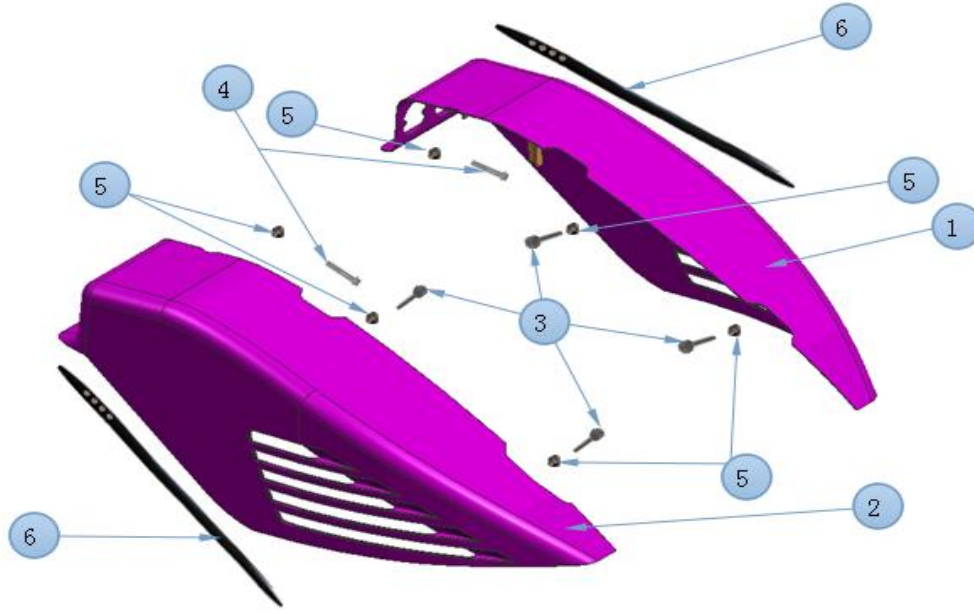
12	511	Interior: Carpet: Red 900 x 700 mm	1
13	26	Interior Z: Washer: M6 L	1
14	72	Interior Z: Screw 40 mm	1

#9 Top



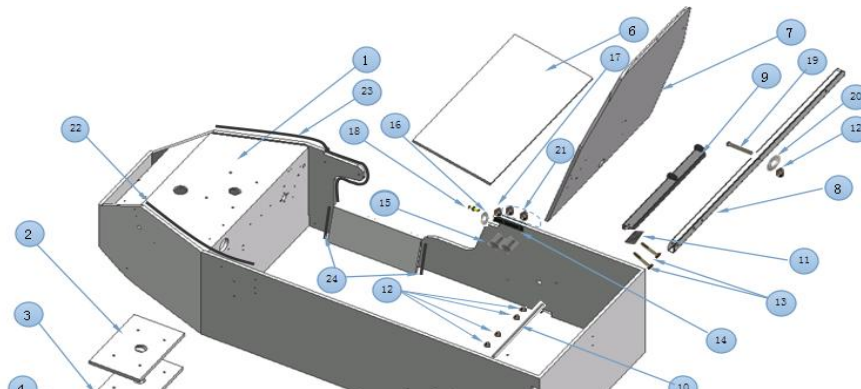
Item	Part No.	Description	QTY. per Vehicle
1	659.1	Top: Windshield Wiper	1
2	657.1	Top: Sliding Window Asmbly Left with 1 tab	1
3	647	top: ABS(5 part welded together)August 2014	1
4	647.6	top: ABS(curve)August 2014	1
5	652	Top: Truck: Gasket	1
6	654	Top: Trunk: lid	1
7	655	Top: Trunk: Rear Latch Post	1
8	653	Top: Truck: hinges (60 mm by 20 mm)	2
9	99	Top: Z: Bolt: M4 x 15 (CS)	8
10	100	Lights: Z: Bolt: M4 x 25 (P)	4
11	25	Wheel: Z: Washer: M6 N	14
12	44	EL: Z: Nut: M4	12
13	46	EL: Z: Nut: M6	9
14	24	Lights: Z: Washer: M4 R	2
15	115	Top: Z: Bolt: M6 x 30 (BP)	4
16	26	Top: Z: Washer: M6 L	1
17	116	Top: Z: Bolt: M6 x 35 (BP)	5
18	72	Gas Tank: Z: Screw 40 mm	2
19	656	Top: Trunk: Rear Latch	1
20	324	EL: Windshield Wiper: Blade (18 inches or 460 mm)	1
21	661	Top: Spira Website Logo	1
22	661.2	Top: Green "EV" logo	2
23	648	top: foam strip underneath of windshield	1
24	656.5	Top: Trunk: Rear Latch rubber ring	1

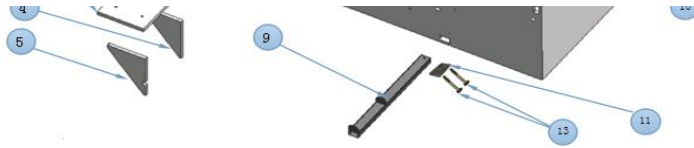
#10 Fenders



Item	Part No.	Description	QTY. per Vehicle
1	708.1	Wheel: Fender: Left ABS	1
2	709.1	Wheel: Fender: Right ABS	1
3	115	Top: Z: Bolt: M6 x 30 (BP)	4
4	117.1	Wheel: Z: Bolt: M6 x 45 (HF)	2
5	46	EL: Z: Nut: M6	6
6	709.5	Wheel: Fender: Plastic Stripes	2

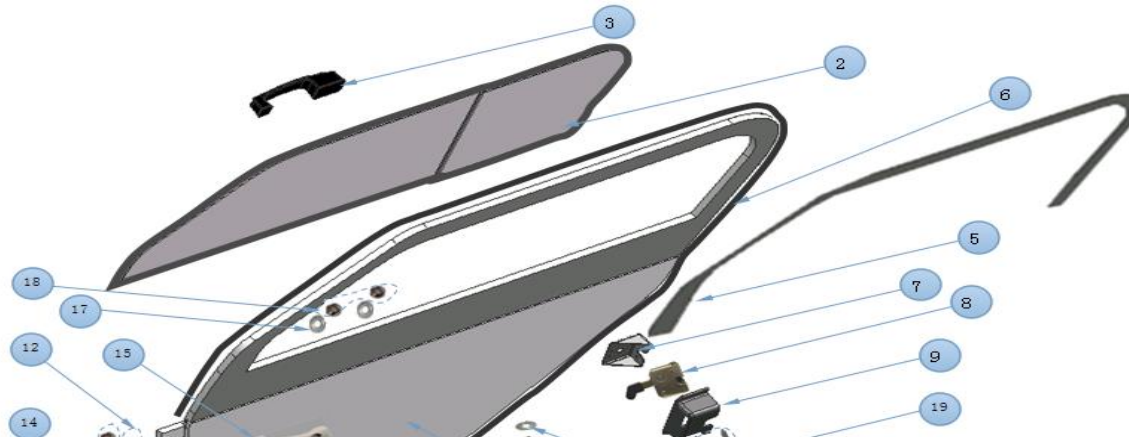
#11 Body

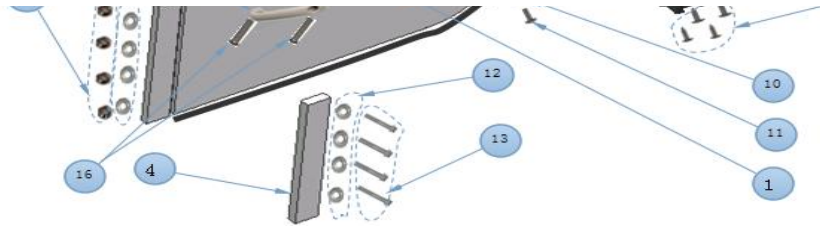




Item	Part No.	Description	QTY. per Vehicle
1	499.1	Interior: EL: coreboard for vehicle body, door, back, gas tank cover	1
2	499.2	Interior: coreboard for steering base 1 340X230X20	1
3	499.3	Interior: coreboard for steering base 2 370X250X20	1
4	499.4	Interior: coreboard for steering Left	1
5	499.5	Interior: coreboard for steering Right	1
6	499.7	Interior: coreboard for seat	1
7	499.8	Interior: coreboard for backboard	1
8	718.1	25 x 50 Galvanize Tube 1430 mm(Electric)	1
9	721.1	Wheel: hanger for swing arm left wheel and ELECTRIC	2
10	719	Wheel: Bar: 25 x 25 400 mm Galvanize Tube	1
11	373	Turn buckle: steel plate on Chassis	2
12	46	Nut: M6	5
13	123	Wheel: Z: Bolt: M6 x 60 (BP)	4
14	267	Door: U shape metal fixture for Door	1
15	113	Door: Z : Bolt: M6 x 25 (BP)	2
16	30	Washer: M12 x (31mm OD)	1
17	53	Interior: Z: M12 Coarse	1
18	272.1	Door: Post	1
19	119	Engine: Z : Bolt: M6 x 50 (BP)	1
20	26	Washer: M6 L	1
21	40	Door: Z: Nut: M6 Regular	2
22	264.1	Top: Left sealing gasket (650mm)	1
23	264.1	Top: Right sealing gasket (900mm)	1
24	264.1	Interior: Protective gasket (180mm) for Door Stablizers	2

#12 Door assembly

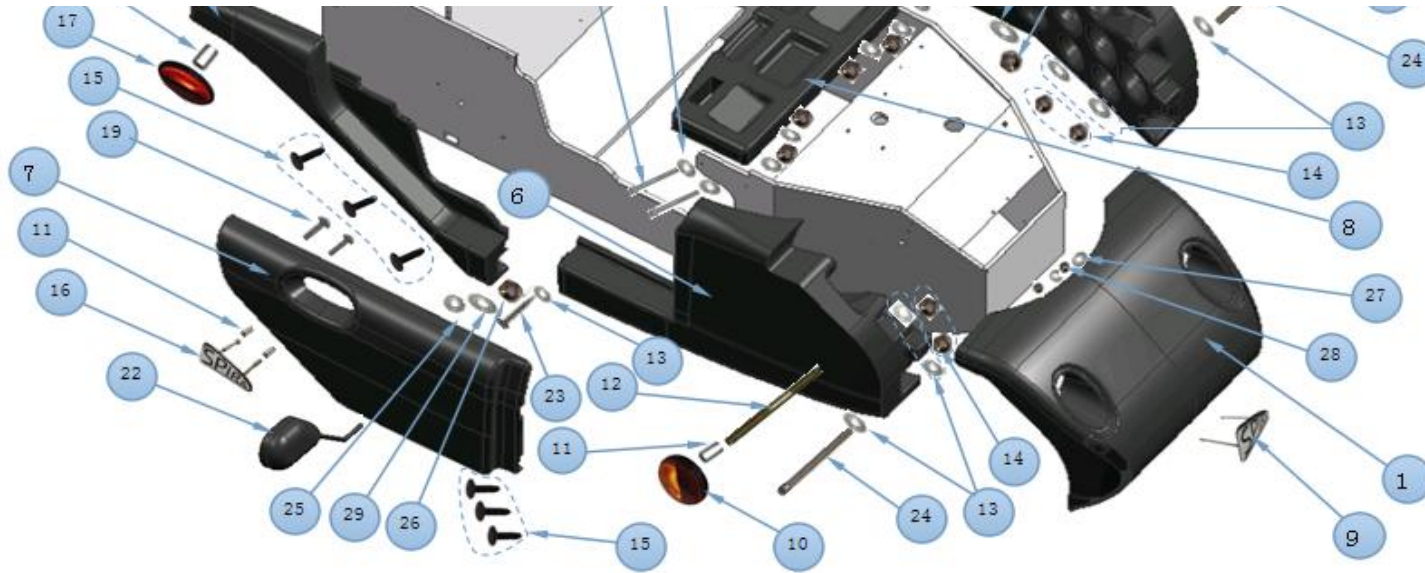




Item	Part No.	Description	QTY. per Vehicle
1	270	Door: coreboard (1.2 sqm)	1
2	268	Door: sliding Window Right with one tab	1
3	271	Door: Handle outside with lock, post ,	1
4	270.1	Door: coreboard support for door hinge	1
5	262	Door: Vinyl wrap Black(0.5 sqm per vehicle)	1
6	264.1	Door: Gasket for Outside Door (3.3 meters)	1
7	277	Door: locker base on door	1
8	272	Door: lock inside	1
9	266	Door: lock plastic cover (50 % are wrong side	1
10	28	Washer: M10 L	1
11	115	Bolt: M6 x 30 (BP)	1
12	26	Washer: M6 L	8
13	120.1	Engine: Z : Bolt: M6 x 65 (HF)(small head 10.7 mm dia)	4
14	46	Nut: M6	4
15	263	Door:Handle: Gray Inside	1
16	107	Z: M5 x 30 (P)	2
17	25	Washer: M6 N	2
18	45	Nut: M5	2
19	70	Door: Z: Screw: 5.0×16 TAPPING	4

#13 Foam

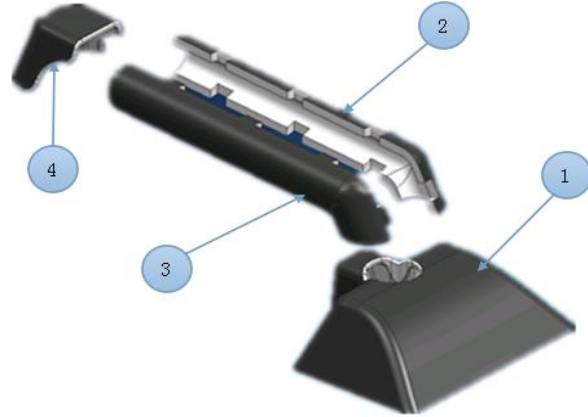




Item	Part No.	Description	QTY. per Vehicle
1	421	Foam 01: nose	1
2	422	Foam 02: left front	1
3	423	Foam 03: left back	1
4	428	Foam 08: tail	1
5	426	Foam 06: right back	1
6	424	Foam 04: right front	1
7	425	Foam 05: door	1
8	427	Foam 07: dash	1
9	439.1	Foam: Spira Logo Assembly for front nose	1
10	559	Lights: Reflectors Yellow Front Sides	2
11	47	Lights: Z: Nut: M6 x20	6
12	108	Lights: Z: M6 Threaded Rod (Galvanized)	2
13	26	Lights: Z: Washer: M6 L	19
14	46	Lights: Z: Nut: M6: Front Red Reflectors	10
15	434	Foam: 14: Plastic fastener 33 mm	6
16	439.5	Foam: Spira Logo Assembly for door	1
17	558	Lights: Reflector: Red Rear Sides	2
18	119.5	Lights: Z: Bolt: M6 x 60 (BP)	2
19	116	Foam: Z: Bolt: M6 x 35 (BP)	2

20	120	Foam: Z : Bolt: M6 x 65 (HF) (small head 10.7 mm dia)	2
21	274	Door: Mirror Left	1
22	275	Door: Mirror Right	1
23	72	Foam: Z: Screw 40 mm	1
24	125	Foam: Z: Bolt: M6 x 105 (BP)	2
25	27	Door: Z: Washer: M8 (25 od)	2
26	41.2	Door: Z: Nut: M8 Reverse Thread	2
27	24	Foam: Z: Washer: M4 R	2
28	44	Foam: Z: Nut: M4	2
29	29	Door: Z: Washer: M10 XL (40 mm OD)	1

#14 Tiller foam



Item	Part No.	Description	QTY. per Vehicle
1	429	Foam 09: steering cover	1
2	430	Foam 10: turning bar left	1
3	431	Foam 11: turning bar right	1
4	432	Foam 12: triangle cover	1